

Modern The Most Widely Recognized Name in Aluminum Stack Melting



Micro Jet Melter (MJM) with Charging System

Features

- 3 Sizes – 500, 800 & 1100 pounds per hour continuous production
- Efficiency – Highest energy efficiency of any gas-fired furnace
- High Metal Quality – Molten aluminum has lower gas & inclusion levels
- Refractory Lined – No crucible to replace
- Temperature Control – Low variations ($\pm 20^{\circ}\text{F}$)
- Low Metal Loss – High metal quality = low dross formation
- Easy to Clean – Convenient access doors make cleaning easy
- Compact – See dimensions on back page

Ask us about the "AL" Series Jet Melter for 1000# - 20,000# per hour production rates.

Modern
Equipment Company, Inc.

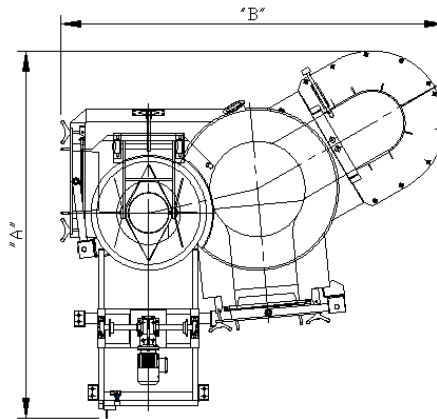
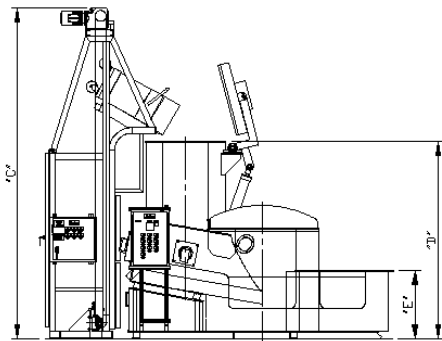
369 West Western Avenue • PO Box 993
Port Washington, WI 53074
Phone: (262) 284-9431 • Fax: (262) 284-9433
www.moderneq.com



High Efficiency Aluminum Melting

Description

Ingot and scrap are charged into the stack section of the furnace. Charge materials are preheated by utilizing the flue gases directed through the stack. Heat recovery and energy savings are achieved by utilizing this method of preheating. The melt burner at the bottom of the stack completes the melting process. The molten aluminum flows into the bath section, where it is held at the desired metal temperature. The aluminum is then dipped, tapped or pumped out of the standard well section on the side of the holding bath section.



Model	Melt Rate	Capacity	A	B	C	D	E
MJM-500	500 lbs/hr	1200	11'-7"	12'-0"	14'-9"	8'-10"	3'-1"
MJM-800	800 lbs/hr	2000	13'-1"	15'-8"	14'-9"	8'-10"	3'-1"
MJM-1100	1100 lbs/hr	2650	14'-10"	13'-6"	16'-1"	9'-10"	3'-1"

All Systems Include:

- Fully assembled & refractory lined
- Electrical controls & interlocks
- FM & IRI approved combustion system
- Ease of maintenance & cleaning
- System commissioning & training

Available Options:

- Equipment installation
- Charging option
- PLC & interface options
- Multiple system configurations
- Turn-key systems



Modern Equipment Company, Inc.

369 West Western Avenue • PO Box 993
 Port Washington, WI 53074
 Phone: (262) 284-9431 • Fax: (262) 284-9433
 www.moderneq.com